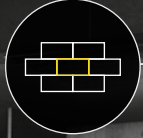


FANUC

Compact design, to reach narrow spaces



HIGH RIGIDITY

minimum vibration even with payload increased by 25% compared to predecessor



16 KG PAYLOAD
perfect for additional toolings



LARGE HOLLOW WRIST
and hollow arm



SLIM AND CURVED J2 ARM
to minimise interference



SMOOTH SURFACES
to minimise dust
and dirt collection



FULLY INTEGRATED CABLE MANAGEMENT
to eliminate interference

NEW

M-10iD/16S



Fast accurate handling for maximum productivity

- high productivity and precision thanks to higher rigidity
- compact and fully articulated to reach narrow spaces in machine tools or jigs
- ideal solution for compact production line installations
- easy installation and seamless fully integrated cable routing to eliminate interference from peripherals and work cell equipment
- intelligent maintenance schedule with FANUC Zero Downtime function that predicts mechanical and process equipment status

WWW.FANUC.EU

M-10iD/16S (Short arm, Hollow wrist)



Max. load capacity at wrist: **16 kg**



Max. reach: **1103 mm**

Controlled axes	Repeatability (mm)	Mechanical weight (kg)	Motion range [°]						Maximum speed [°/s]						J6 Moment/Inertia (Nm/kgm ²)
			J1	J2	J3	J4	J5	J6	J1	J2	J3	J4	J5	J6	
6	± 0.02*	140	340 (370)	235	340	380	360	900	270	270	430	450	730	26.0/0.90	11.0/0.30

Robot

- Robot footprint [mm] 343 x 343
- Mounting position Floor
- Mounting position Upside down
- Mounting position Angle

Controller

- Open air cabinet
- Mate cabinet
- A-cabinet
- B-cabinet
- iPendant Touch

Electrical connections

- Voltage 50/60Hz 3phase [V] 380-575
- Voltage 50/60Hz 1phase [V] -
- Average power consumption [kW] 1

Integrated services

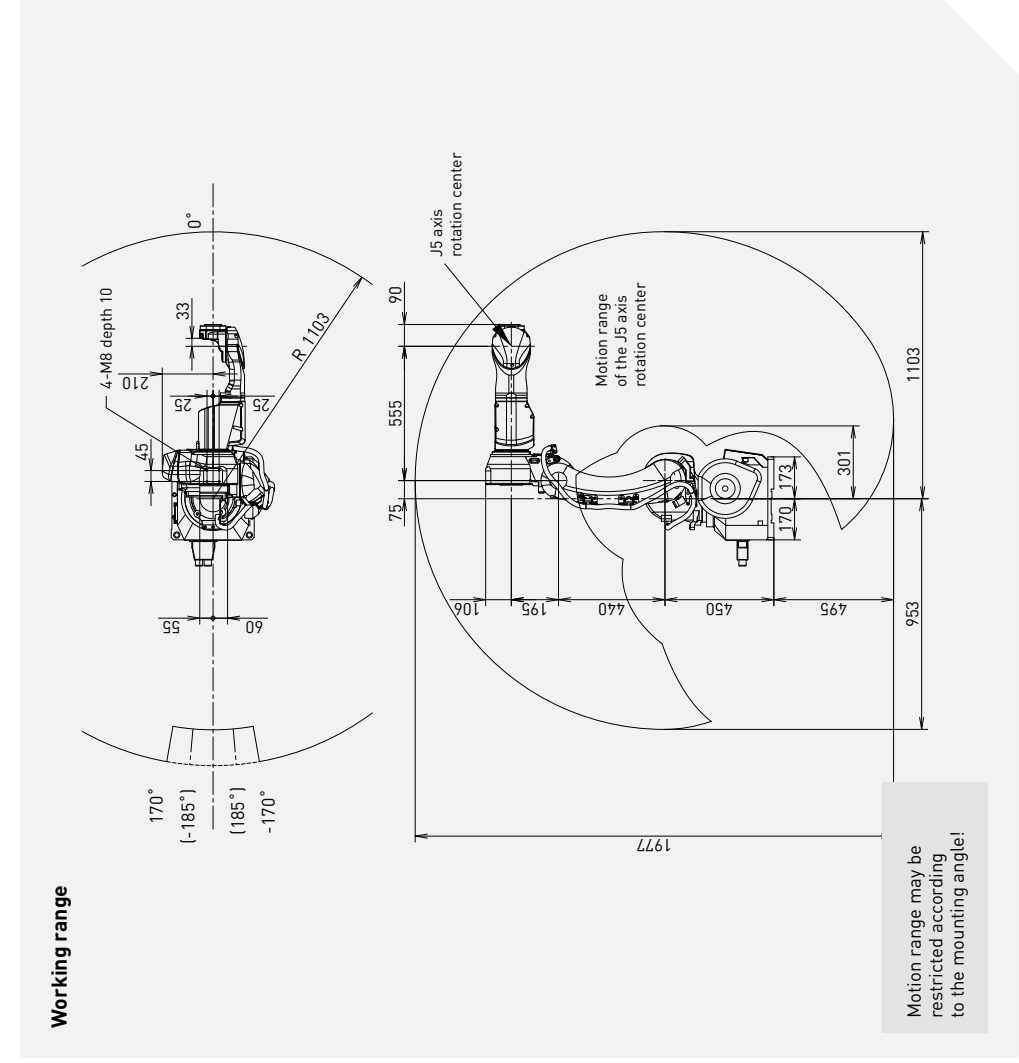
- Integrated signals on upper arm In/Out 8/8
- Integrated air supply 1

Environment

- Acoustic noise level [dB] 57.4
- Ambient temperature [° C] 0-45

Protection

- Body standard/optional IP54 /IP65
- Wrist & J3 arm standard/optional IP67



*Based on ISO9283

● standard ○ on request - not available () with hardware and/or software option