

# Enabling demanding tasks beyond the capabilities of other precision models

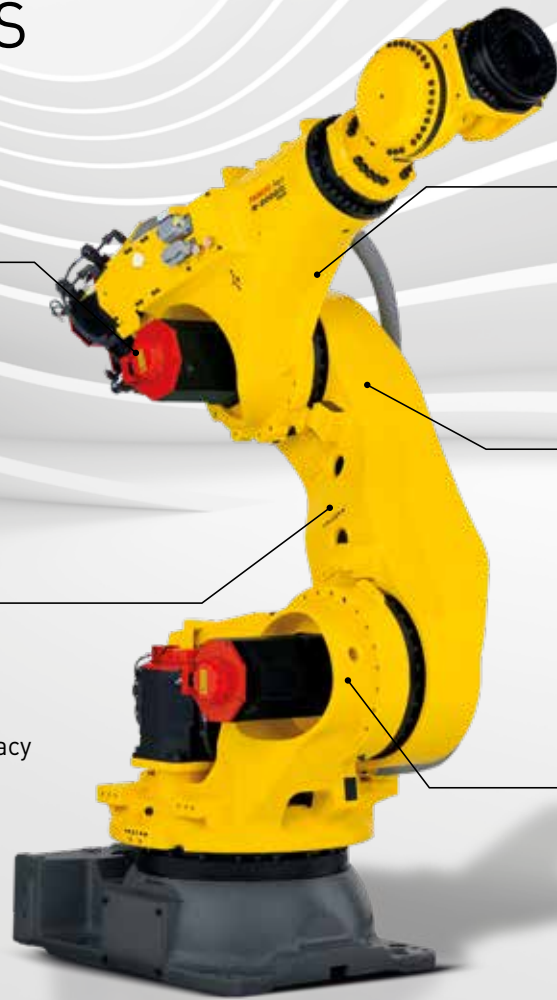
## R-2000iC/190S



**HIGH RIGIDITY**  
robust construction to increase precision



**HIGH ACCURACY**  
ideally suited for high accuracy machining applications



**190 KG PAYLOAD**  
perfect for additional toolings



**iRCALIBRATION SIGNATURE**  
for absolute accuracy included as standard



**HIGH PERFORMANCE**  
fast and accurate motion in narrow corners



### Next level accuracy

- well suited for robotic machining applications such as milling of plastic, resin, aluminium and wood
- comes with additional technology to compensate for process-related deflection
- high level of stiffness keeps inaccuracies to a minimum, even in applications involving high speeds and tight curves
- long reach in combination with six axes of motion permits excellent workpiece accessibility from many angles

# R-2000iC/190S

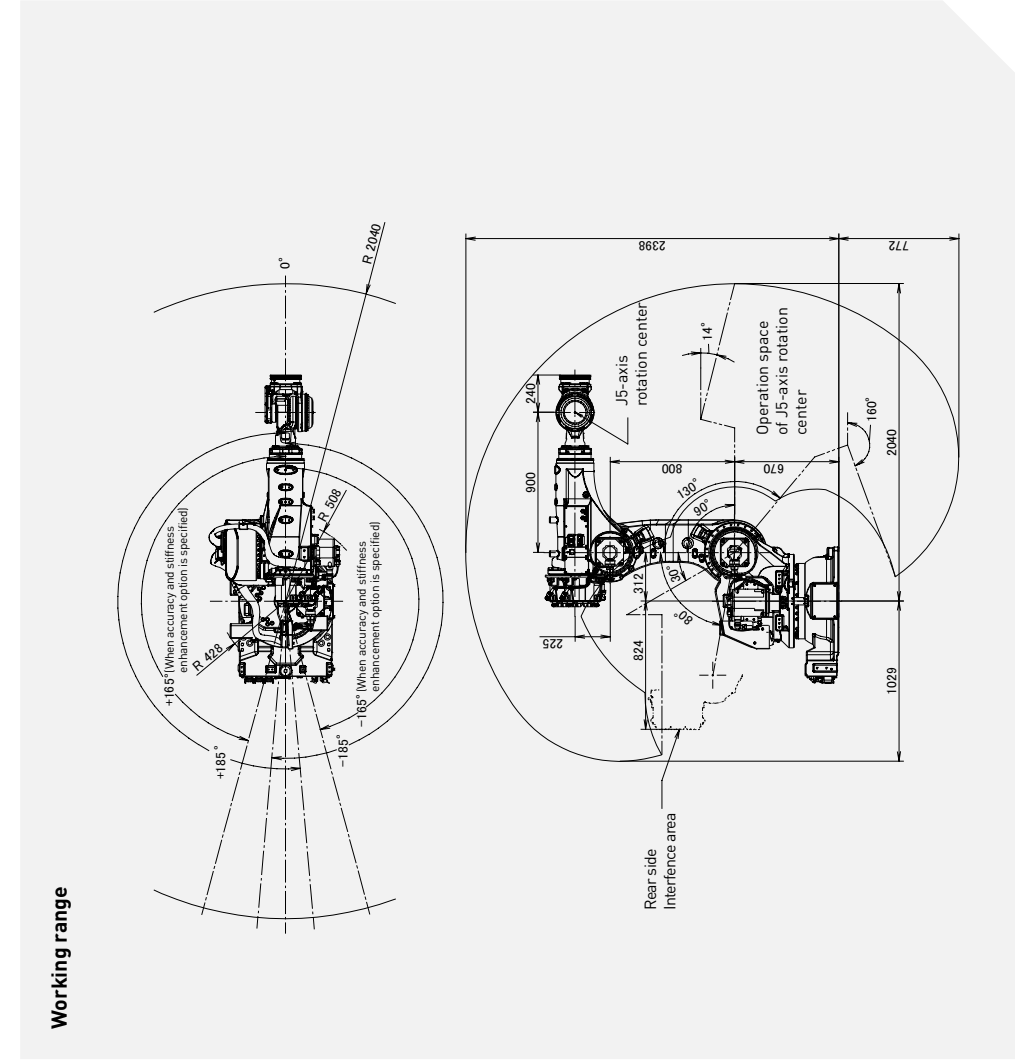


Max. load capacity  
at wrist: **190 kg**



Max. reach:  
**2040 mm**

Controlled axes	Repeatability (mm)	Mechanical weight (kg)	Motion range (°)						Maximum speed (°/s)						J4 Moment/Inertia (Nm/kgm <sup>2</sup> )	J5 Moment/Inertia (Nm/kgm <sup>2</sup> )	J6 Moment/Inertia (Nm/kgm <sup>2</sup> )
			J1	J2	J3	J4	J5	J6	J1	J2	J3	J4	J5	J6			
6	±0.03	1135	330	210	340	306	250	720	105	90	145	120	120	200	1200/200	1200/200	630/180



**Robot**

- Robot footprint [mm] ..... 771x610
- Mounting position Floor ..... ●
- Mounting position Upside down ..... ●
- Mounting position Angle ..... -

**Controller**

- Open air cabinet ..... -
- Mate cabinet ..... -
- A-cabinet ..... ●
- B-cabinet ..... ○
- iPendant Touch ..... ●

**Electrical connections**

- Voltage 50/60Hz 3phase [V] ..... 380-575
- Voltage 50/60Hz 1phase [V] ..... -
- Average power consumption [kW] ..... 3

**Integrated services**

- Integrated signals on upper arm In/Out ..... 8/8
- Integrated air supply ..... 2

**Environment**

- Acoustic noise level [dB] ..... 70.5
- Ambient temperature [°C] ..... 0-45

**Protection**

- Body standard/optional ..... IP54
- Wrist & J3 arm standard/optional ..... IP67

● standard ○ on request - not available ( ) with hardware and/or software option