

# SR-3iA/U



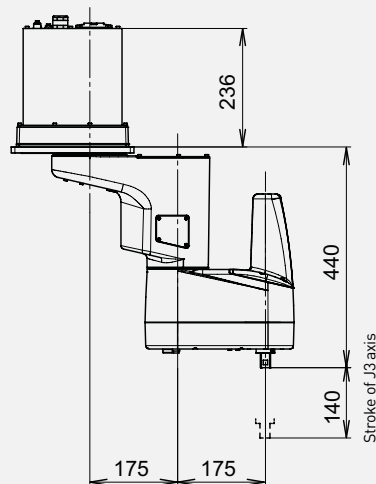
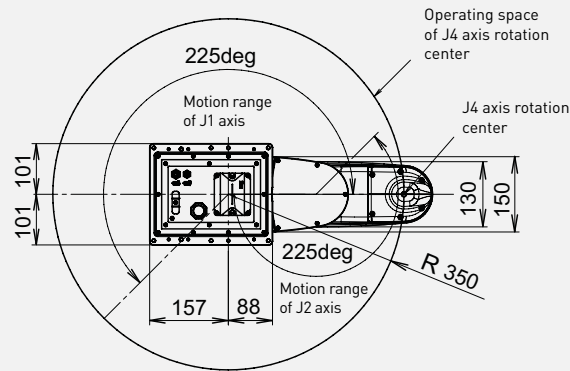
Max. load capacity  
at wrist: **3 kg**



Max. reach:  
**350 mm**

| Controlled axes | Repeatability (mm)                         | Mechanical weight (kg) | Motion range (°) |     |        |      |    |    | Maximum speed (°/s) |     |             |      |    |    | J4 Inertia (kgm <sup>2</sup> ) | J5 Inertia (kgm <sup>2</sup> ) | J6 Inertia (kgm <sup>2</sup> ) |
|-----------------|--|------------------------|------------------|-----|--------|------|----|----|---------------------|-----|-------------|------|----|----|--------------------------------|--------------------------------|--------------------------------|
|                 |  |                        | J1               | J2  | J3     | J4   | J5 | J6 | J1                  | J2  | J3          | J4   | J5 | J6 |                                |                                |                                |
| 4               | ±0.01 [J1,J2],<br>±0.01 [J3], ±0.004° [J4] | 27                     | 450              | 450 | 140 mm | 1440 | -  | -  | 610                 | 840 | 1500 mm/sec | 3000 | -  | -  | 0.06                           | -                              | -                              |

## Working range



### Robot

|                           | SR-3iA/U |
|---------------------------|----------|
| Robot footprint [mm]      | 202x245  |
| Mounting position Floor   | -        |
| Mounting position Ceiling | •        |
| Mounting position Angle   | -        |
| Mounting position Wall    | -        |



### Controller

|                  | R-30iB Plus |
|------------------|-------------|
| Compact Plus     | •           |
| Open air cabinet | -           |
| Mate cabinet     | -           |
| A-cabinet        | -           |
| B-cabinet        | -           |
| iPendant Touch   | -           |

### Electrical connections

|                                |         |
|--------------------------------|---------|
| Voltage 50/60Hz 3phase [V]     | -       |
| Voltage 50/60Hz 1phase [V]     | 200-230 |
| Average power consumption [kW] | 0.25    |

### Integrated services

|  |                  |
|--|------------------|
| Integrated signals on upper arm In/Out | 4 RI             |
| Integrated air supply                  | 2                |
| Integrated solenoid valve              | Solenoid valve 2 |

### Environment

|                           |      |
|---------------------------|------|
| Acoustic noise level [dB] | < 70 |
| Ambient temperature [° C] | 0-45 |

### Protection

|                                  |      |
|----------------------------------|------|
| Body standard/optional           | IP20 |
| Wrist & J3 arm standard/optional | IP20 |

### Auxiliary

|                                   |     |
|-----------------------------------|-----|
| Max. push-down force (Newton)     | 150 |
| Max. linear speed at TCP (mm/sec) | -   |
| Cleanliness class                 | -   |

• standard    ◦ on request    - not available    ( ) with hardware and/or software option