

FANUC Robot M-950iA/500



Features

FANUC Robot M-950iA/500 is a large and heavy payload robot with wide motion range and 500kg payload capacity.

- M-950iA/500 has a J3 arm which can stand upright above and rotate backwards of the robot. A large operation area, including above and behind the robot, makes it possible to use M-950iA/500 in various layout.
- Due to a high rigidity design and a strong wrist, M-950iA/500 is available for handling of large and heavy workpieces. M-950iA/500 can also support the application such as friction stir welding, drilling and riveting.
- Accuracy and stiffness enhancement option is also available for applications that require higher precision or where external forces act on the robot.
- iRVision and various intelligent features make the production of diversified products easier. Additionally, peripheral equipment can be simplified since there is no need for the workpiece to be positioned accurately when it is picked up.

Application Example



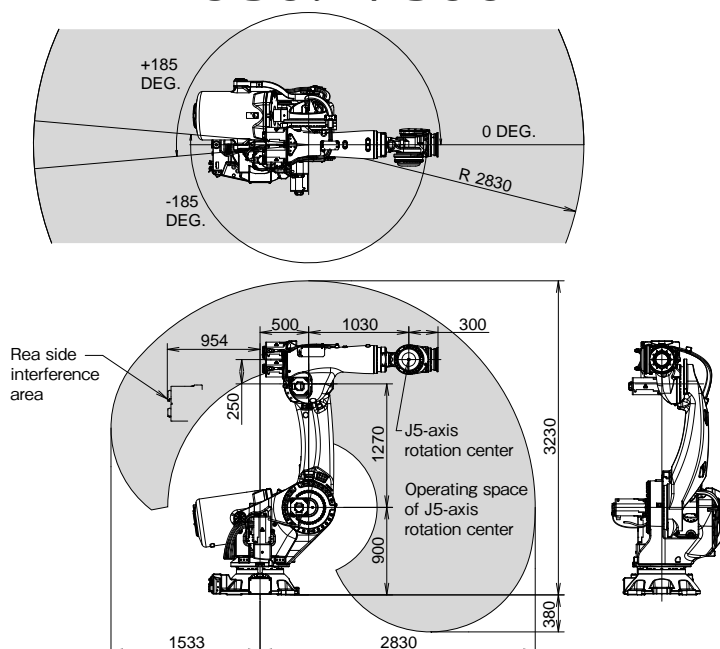
Large Casting Handling



Side panel Handling

Operating space

M-950iA/500



Specifications

Model		M-950iA/500	
Type		Articulated Type	
Controlled axes		6 axes (J1,J2,J3,J4,J5,J6)	
Reach		2830 mm	
Installation		Floor	
Motion range (Maximum speed) Note 1)	J1 axis rotation	370°(100°/s)	6.46 rad (1.75 rad/s)
	J2 axis rotation	150°(80°/s)	2.62 rad (1.40 rad/s)
	J3 axis rotation	392°(80°/s)	6.84 rad (1.40 rad/s)
	J4 axis wrist rotation	720°(110°/s)	12.57 rad (1.92 rad/s)
	J5 axis wrist swing	244°(110°/s)	4.26 rad (1.92 rad/s)
	J6 axis wrist rotation	720°(170°/s)	12.57 rad (2.97 rad/s)
Max load capacity at wrist		500 kg	
Max load capacity at J2 base		550 kg	
Max load capacity on J3 casing		50 kg	
Allowable load moment at wrist	J4 axis	3420 N·m	349 kgf·m
	J5 axis	3420 N·m	349 kgf·m
	J6 axis	1850 N·m	189 kgf·m
Allowable load inertia at wrist	J4 axis	1100 kg·m ²	112 kgf·cm·s ²
	J5 axis	1100 kg·m ²	112 kgf·cm·s ²
	J6 axis	445 kg·m ²	45 kgf·cm·s ²
Drive method		Electric servo drive by AC servo motor	
Positioning accuracy Note 2)		±0.08 mm	
Mass Note 3)		2500 kg	
Installation environment		Ambient temperature : 0 to 45°C Ambient humidity : Normally 75%RH or less (No dew, nor frost allowed) Short term (within one month)Max. 95%RH or less (No dew, nor frost allowed) Vibration acceleration : 4.9m/s ² (0.5G) or less	

Note 1) During short distance motions, the axis speed may not reach the maximum value stated.

Note 2) Compliant with ISO 9283.

Note 3) Without controller.

FANUC CORPORATION

● Overseas Affiliated Companies
 FANUC America Corporation
 FANUC Europe Corporation, S.A.
 SHANGHAI-FANUC Robotics CO., LTD.
 KOREA FANUC CORPORATION
 TAIWAN FANUC CORPORATION
 FANUC INDIA PRIVATE LIMITED
 FANUC SINGAPORE PTE. LTD.
 FANUC THAI LIMITED
 FANUC MECHATRONICS (MALAYSIA) SDN. BHD.
 PT. FANUC INDONESIA
 FANUC OCEANIA PTY. LIMITED
 FANUC SOUTH AFRICA (PROPRIETARY) LIMITED

Phone: (+1)248-377-7000
 Phone: (+352)727777-1
 Phone: (+86)21-5032-7700
 Phone: (+82)55-278-1200
 Phone: (+886)4-2359-0522
 Phone: (+91)80-2852-0057
 Phone: (+65)6567-8566
 Phone: (+66)2-714-6111
 Phone: (+60)3-3082-1222
 Phone: (+62)21-4584-7285
 Phone: (+61)2-8822-4600
 Phone: (+27)11-392-3610

<https://www.fanucamerica.com/>
<https://www.fanuc.eu/>
<https://www.shanghai-fanuc.com.cn/>
<https://www.fkc.co.kr/>
<https://www.fanuctaiwan.com.tw/>
<https://www.fanucindia.com/>
<https://www.fanuc.com/fsp/>
<https://www.fanuc.com/fth/>
<https://www.fanuc.com/fmm/>
<https://www.fanuc.com/fin/>
<https://www.fanucoceania.com.au/>
<https://fanuc.co.za/>

● Headquarters 3580, Shibokusa, Oshino-mura, Minamitsuru-gun
 Yamanashi, 401-0597, JAPAN
 Phone: (+81)555-84-5555 <https://www.fanuc.co.jp/>

● All specifications are subject to change without notice.
 ● No part of this catalog may be reproduced in any form.
 ● The products in this catalog are controlled based on Japan's 'Foreign Exchange and Foreign Trade Law'. The export from Japan may be subject to an export license by the government of Japan. Further, re-export to another country may be subject to the license of the government of the country from where the product is re-exported. Furthermore, the product may also be controlled by re-export regulations of the United States government. Should you wish to export or re-export these products, please contact FANUC for advice.

© FANUC CORPORATION, 2023
 RM-950iA(E)-01, 2023.11, Printed in Japan