



Standard Specifications

BA013N-A

1st ed. 03-Mar-22

2nd ed. 12-Jun-23

Kawasaki Heavy Industries, Ltd.
Robot Business Division

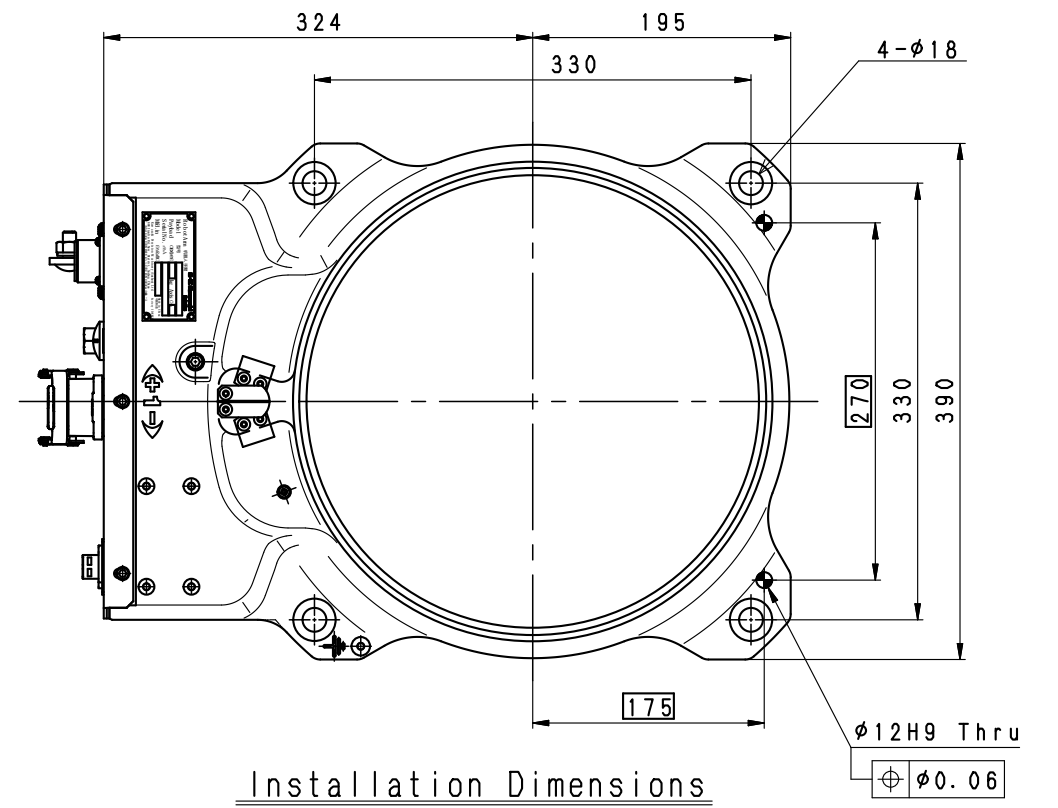
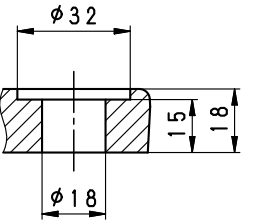
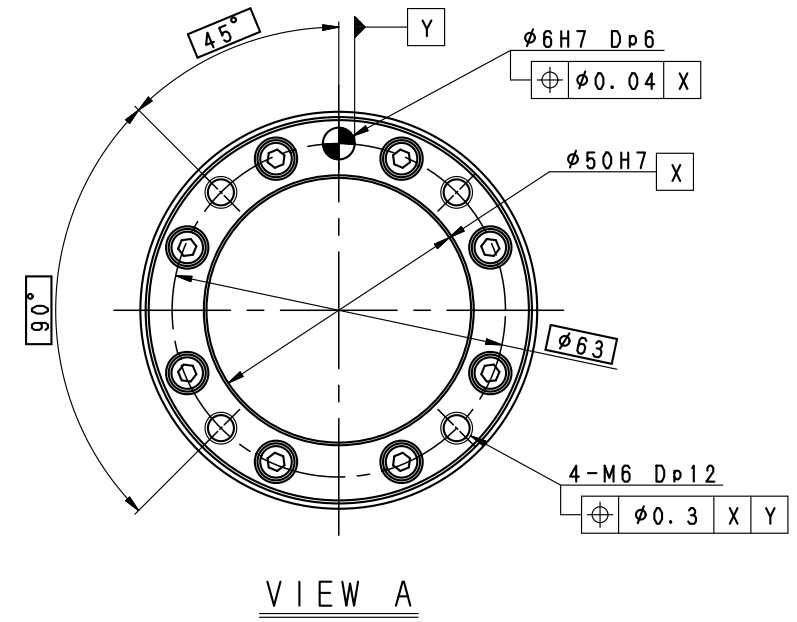
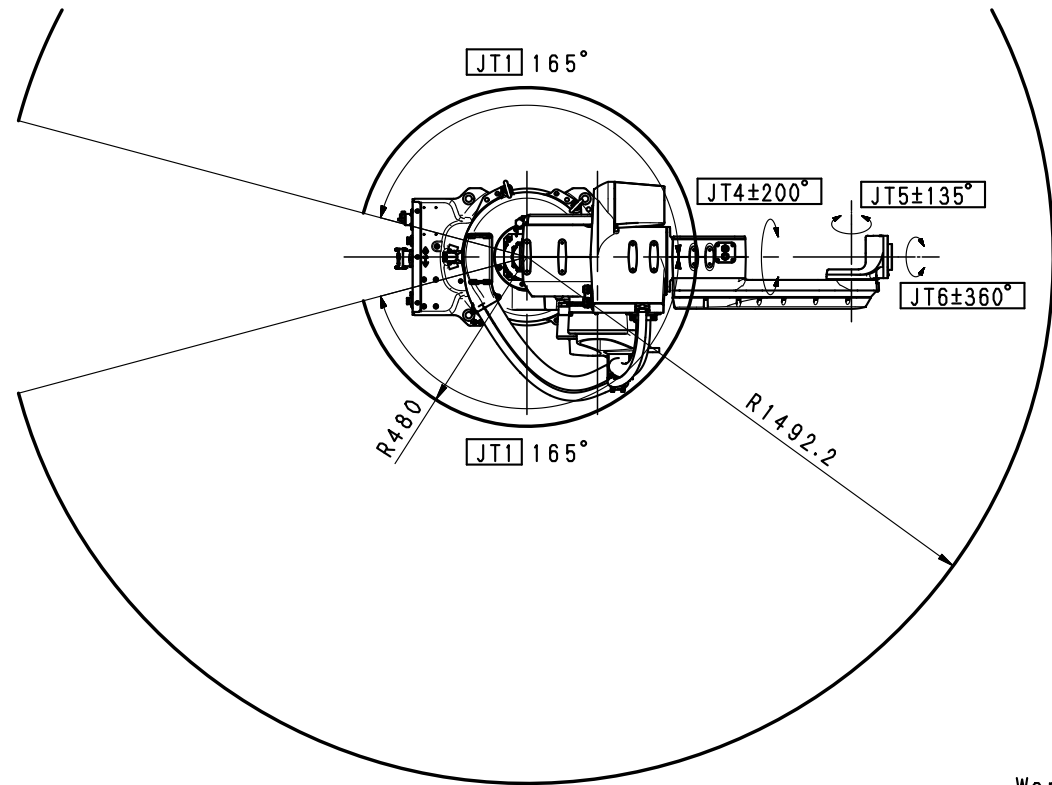
Specification number : 90151-0375DEB

Materials and specifications are subject to change without notice.

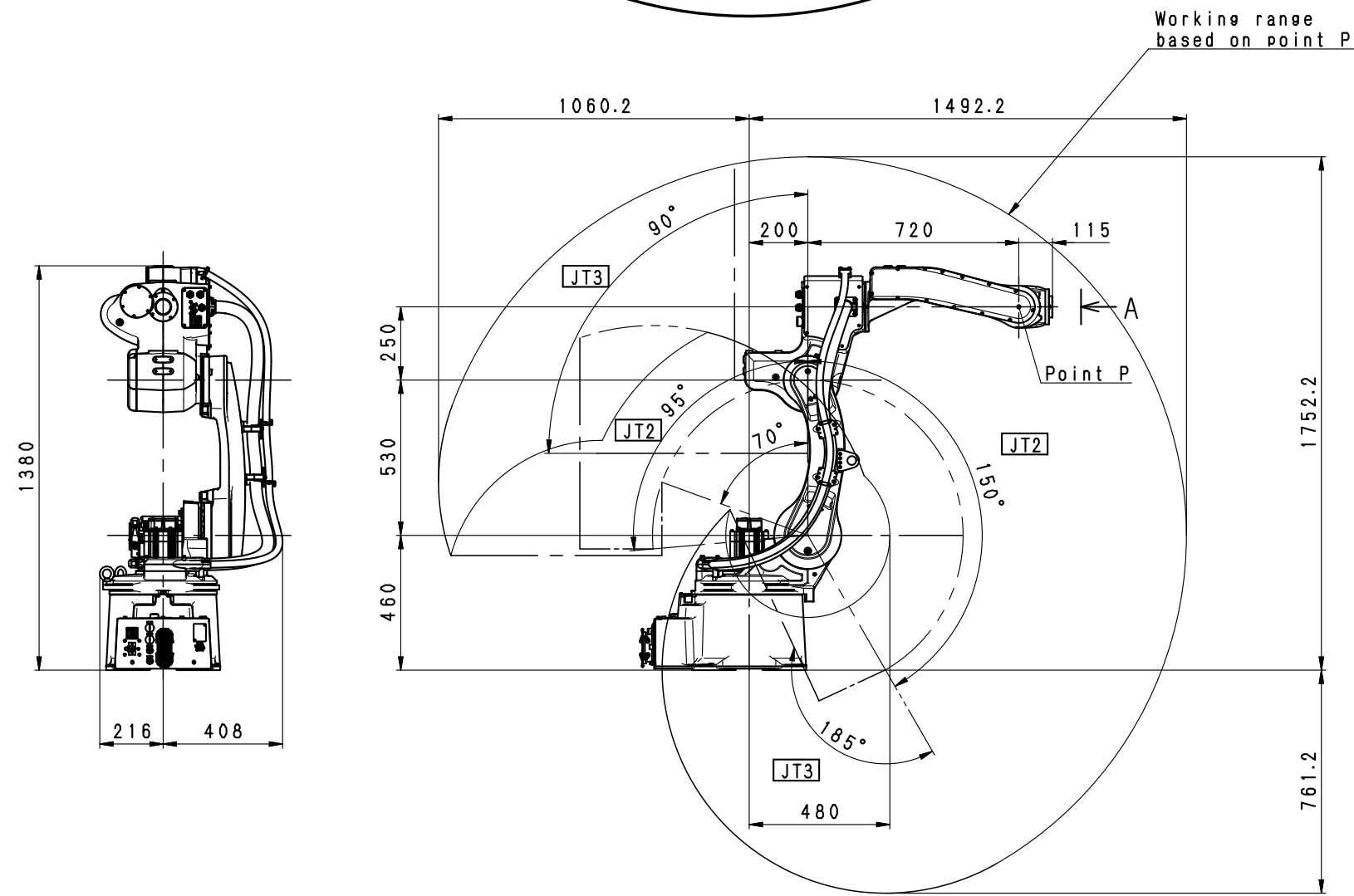
Robot specifications

1. Model	BA013N-A																						
2. Type	Articulated robot																						
3. Degree of freedom	6 axes																						
4. Max. payload	13 kg																						
5. Max. reach	1,492 mm																						
6. Position repeatability	±0.04 mm (wrist flange surface) conforms to ISO 9283																						
7. Axis specification	<table border="1"> <thead> <tr> <th>Operating axis</th> <th>Motion range</th> <th>Max. speed*</th> </tr> </thead> <tbody> <tr> <td>Arm rotation (JT1)</td> <td>±165°</td> <td>265° /s</td> </tr> <tr> <td>Arm out-in (JT2)</td> <td>+ 150° - - 95°</td> <td>250° /s</td> </tr> <tr> <td>Arm up-down (JT3)</td> <td>+ 90° - - 185°</td> <td>265° /s</td> </tr> <tr> <td>Wrist swivel (JT4)</td> <td>±200°</td> <td>470° /s</td> </tr> <tr> <td>Wrist bend (JT5)</td> <td>±135°</td> <td>475° /s</td> </tr> <tr> <td>Wrist twist (JT6)</td> <td>±360°</td> <td>730° /s</td> </tr> </tbody> </table>		Operating axis	Motion range	Max. speed*	Arm rotation (JT1)	±165°	265° /s	Arm out-in (JT2)	+ 150° - - 95°	250° /s	Arm up-down (JT3)	+ 90° - - 185°	265° /s	Wrist swivel (JT4)	±200°	470° /s	Wrist bend (JT5)	±135°	475° /s	Wrist twist (JT6)	±360°	730° /s
	Operating axis	Motion range	Max. speed*																				
	Arm rotation (JT1)	±165°	265° /s																				
	Arm out-in (JT2)	+ 150° - - 95°	250° /s																				
	Arm up-down (JT3)	+ 90° - - 185°	265° /s																				
	Wrist swivel (JT4)	±200°	470° /s																				
	Wrist bend (JT5)	±135°	475° /s																				
	Wrist twist (JT6)	±360°	730° /s																				
<p>Note* The values in the table are maximum values and vary depending on conditions such as load and motion range.</p>																							
8. Load capacity of wrist	<table border="1"> <thead> <tr> <th></th> <th>Max. torque</th> <th>Moment of inertia*</th> </tr> </thead> <tbody> <tr> <td>JT4</td> <td>26 N•m</td> <td>0.9 kg•m²</td> </tr> <tr> <td>JT5</td> <td>26 N•m</td> <td>0.9 kg•m²</td> </tr> <tr> <td>JT6</td> <td>10 N•m</td> <td>0.3 kg•m²</td> </tr> </tbody> </table>			Max. torque	Moment of inertia*	JT4	26 N•m	0.9 kg•m ²	JT5	26 N•m	0.9 kg•m ²	JT6	10 N•m	0.3 kg•m ²									
		Max. torque	Moment of inertia*																				
	JT4	26 N•m	0.9 kg•m ²																				
	JT5	26 N•m	0.9 kg•m ²																				
	JT6	10 N•m	0.3 kg•m ²																				
<p>Note* Each value in this table shows allowable moment of inertia of JT4/JT5/JT6 when max. allowed torque is applied to each axis. If more detailed data is required for your application, please contact Kawasaki.</p>																							
9. Mass	260 kg (without options)																						
10. Mounting	Floor mounting																						
11. Installation Environment	Ambient Temperature: 0 - 45 °C																						
	Relative Humidity: 35 - 85 % (with no dew condensation)																						
12. Color	Munsell 10GY9/1 equivalent																						
13. Degree of protection	Wrist: IP67 equivalent																						
14. Built-in utilities	Pneumatic piping (φ8 × 1 line) , Gas piping (φ8 × 1 line) Internal welding cable (80sq, from BASE(JT1) to JT3)																						
15. Options	Sensor harness	12 circuits, wired inside robot arm																					
	Solenoid valve	Double solenoid / Single solenoid valves (4 units max.)																					
	Mechanical stopper	Adjustable stopper JT1																					
	Installation stand	300 mm, 600 mm height																					
	Base plate	750 mm × 750 mm																					

Consult Kawasaki about maintenance parts and spare parts.



Installation Dimensions



BA013N-A
WORKING RANGE