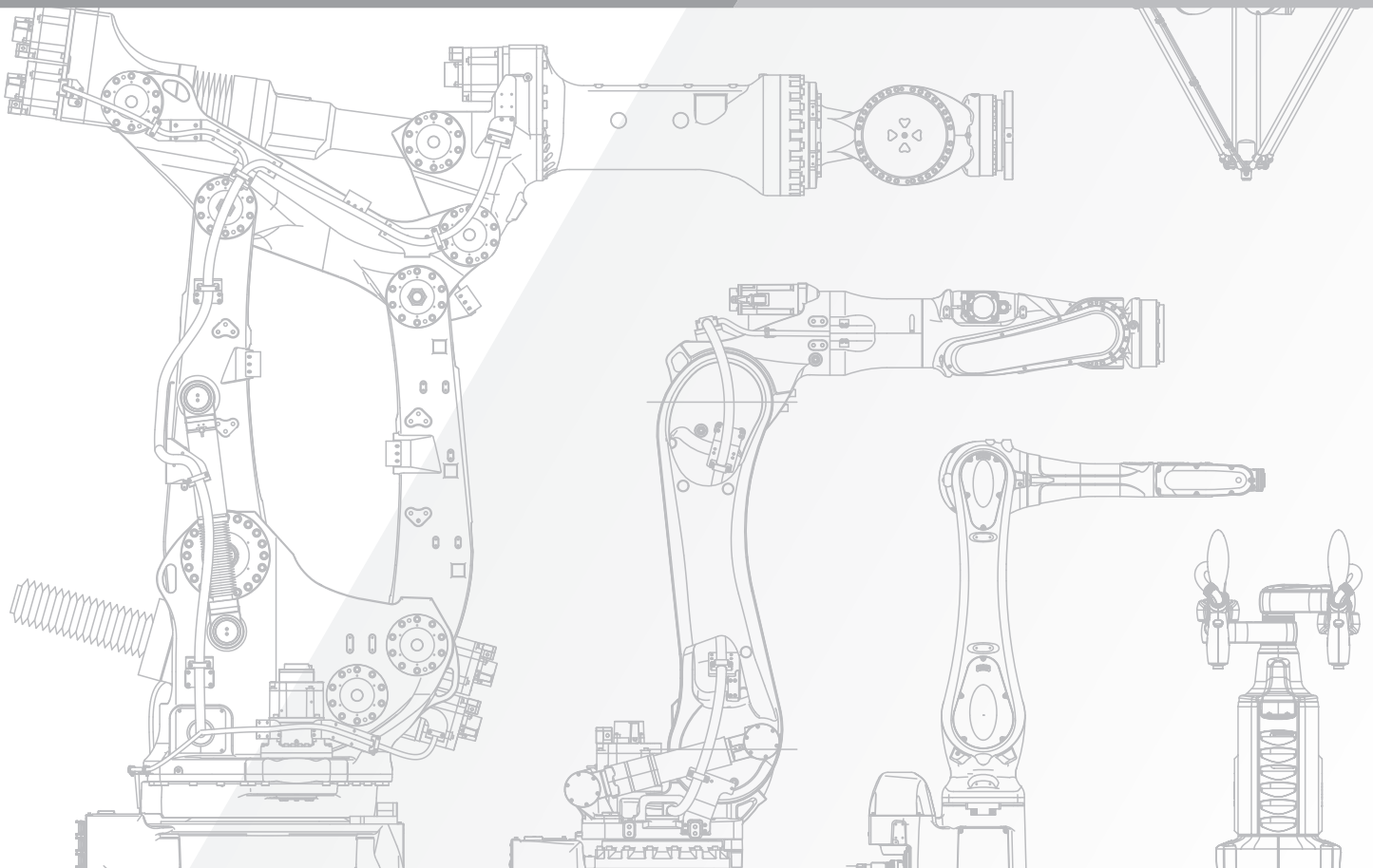


# Kawasaki Robotics

## CL Series: CoLaborative Robots

English Version



# CL Series Collaborative Robots

## A New Era of Collaborative Automation

**Rethinking Cobots:** 50 years of robotics expertise and leading technology made in Japan meets automation innovation made in Germany. With their new CL line and a variety of payloads and reaches, Kawasaki Robotics provides an entirely new and agile approach to collaborative robotics - powered by the partnership with Neura Robotics.



### CL103N

Payload: 3 kg  
Reach: 590 mm

### CL105N

Payload: 5 kg  
Reach: 800 mm

### CL108N

Payload: 8 kg  
Reach: 1300 mm

### CL110N

Payload: 10 kg  
Reach: 1000 mm

**Flexible Line-up:** With payloads and reaches of 3kg/590mm, 5kg/800mm, 8kg/1300mm and 10 kg/1000mm, the four models of the CL Series offer the perfect solution for every scenario. Free mounting orientations, extremely small footprints and IP66 classification provide additional flexibility - for all models.

**State-of-the-art Technology:** Designed and made in Germany, the CL Series offers excellent performance through high-quality components, such as the integrated 24-bit encoders, which are among the highest-resolution on the market, and an extremely light-weight yet reliable construction.

## The Best of Both Worlds



**No Compromise:** The CL Series offers the best of both worlds, with full-on industrial scale performance and speed paired with maximum protection and all advantages of collaborative robotics. Combined with an intuitive user interface, the CL Series makes automating production lines easier than ever before.

**Made for any Use Case and Environment:** The CL Series brings together industry-leading speed of 200°/s, and repeatability of  $\pm 0.02$  mm for all models. Our collaborative robot line is the perfect choice for automating simple and repetitive tasks – effectively saving costs and maximizing revenue.



**Well Protected:** Thanks to its compact and robust design, integrated cables and IP66 rating, the CL Series can be used in all kinds of harsh environments that may not be suitable for other collaborative robots.

**Maximum Safety:** Its proprietary safety architecture and many features for safety positions, speed, torque, zones, limits and collision detection allow the CL Series Cobots to operate alongside human workers.





# **Kawasaki** Robotics

<http://kawasakirobotics.de>



## EMEA Headquarters, Sales and Service

**Kawasaki Robotics GmbH**  
<http://kawasakirobotics.de>  
 Im Taubental 32, 41468 Neuss, Germany  
 Phone: +49-2131-3426-0 Fax: +49-2131-3426-22

## Branch Offices

**Kawasaki Robotics (UK) Ltd.**  
<http://kawasakirobotics.de>  
 Unit 4 Easter Court, Europa Boulevard, Westbrook Warrington  
 Cheshire, WA5 7ZB, United Kingdom  
 Phone: +44-1925-71-3000 Fax: +44-1925-71-3001

**Kawasaki Robotics France**  
<http://kawasakirobotics.de>  
 PA de la clé St Pierre, 78990 ELANCOURT, France  
 Phone: +336-31 27 43 41 Fax: +336-31 27 43 41

## Kawasaki Heavy Industries Middle East FZE (KHI-ME)

<http://kawasakirobotics.de>  
 Dubai Airport Free Zone, Bldg. W6, Block-A,  
 Office No. 709, PO BOX 54878, Dubai UAE  
 Phone: +971-(0)4-214-6730 Fax: +971-(0)4-214-6729

## Kawasaki Robotics Central Eastern Europe HUB

<http://kawasakirobotics.pl>  
 3 Feliksa Wrobela Street 30-798 Cracow, Poland  
 Phone: +48-663 890 123

## Kawasaki Heavy Iberian HUB

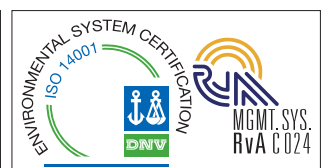
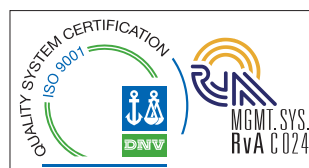
Francisco Aristeguieta Centro Tecnológico (F.A.C.T.)  
 GI-3162 (Zarautz-Urdaneta) km 2,2  
 E-20809 AIA (Gipuzkoa), Spain  
 Phone: +34-943 140 139

## CAUTIONS TO BE TAKEN TO ENSURE SAFETY

For those persons involved with the operation / service of your system, including Kawasaki Robot, they must strictly observe all safety regulations at all times. They should carefully read the Manuals and other related safety documents.

Products described in this catalogue are general industrial robots. Therefore, if a customer wishes to use the Robot for special purposes, which might endanger operators or if the Robot has any problems, please contact us. We will be pleased to help you.

Be careful as Photographs illustrated in this catalogue are frequently taken after removing safety fences and other safety devices stipulated in the safety regulations from the Robot operation system.



ISO certified in Akashi Works.